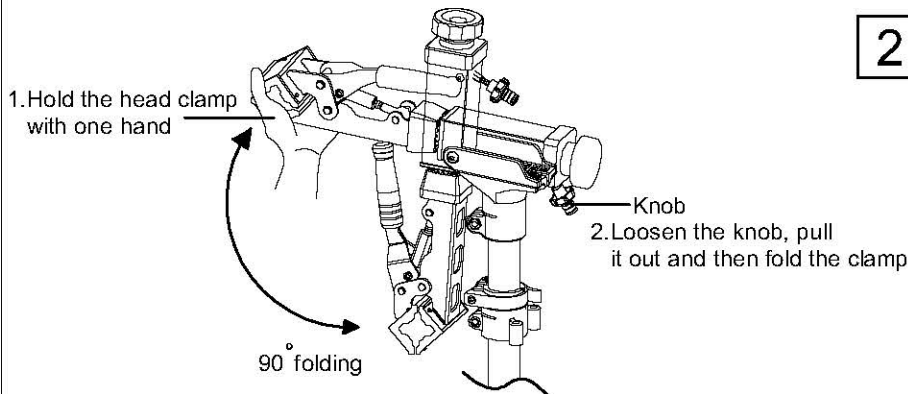


1 Clamp adjustment and folding



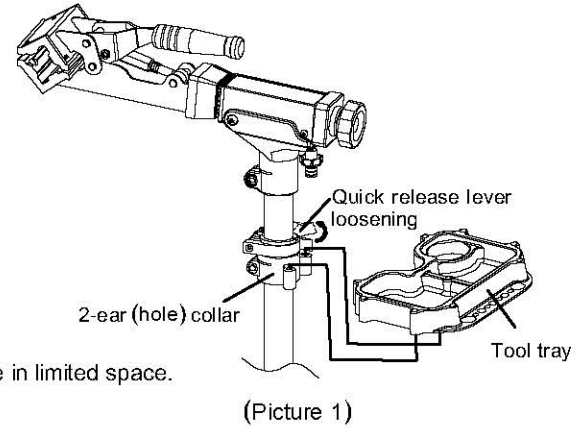
Visit operation detail at Super B

Website: <http://www.superbiketool.com/>,

Click Product → Work stand → 1. → TB-WS20

2 Tool tray assembly

1. Loosen the quick release lever.
2. Place the tool tray into the 2-ear (hole) collar. (see picture 1)
3. Fasten the quick release lever. (see picture 1)

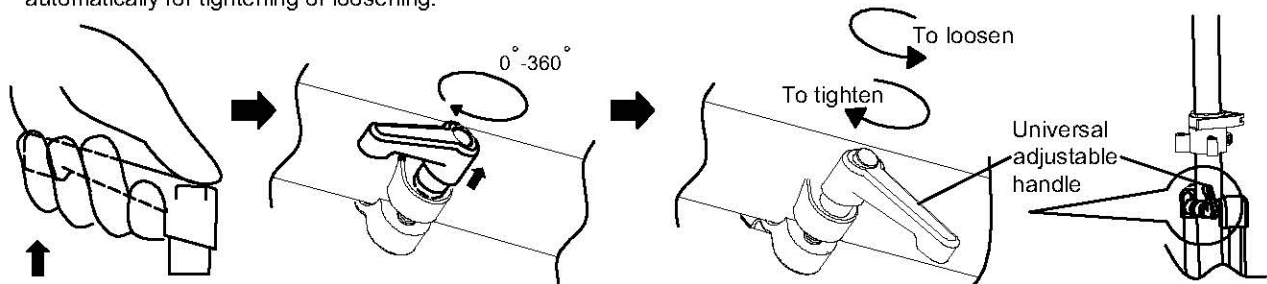


3 Universal adjustable handle instruction

Universal adjustable handle can be adjusted to any degree suitable to operate in limited space.

Application:

1. Pull the handle apart and rotate to proper position (0°-360°).
2. Release the handle to spring back in place automatically for tightening or loosening.



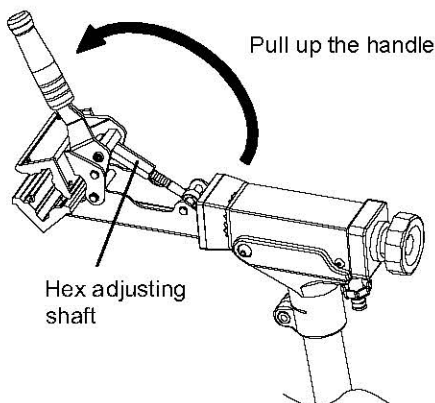
1. Pull the handle apart and rotate to proper position (0°-360°).
2. Release the handle to spring back in place automatically.

4 Adjust the clamp

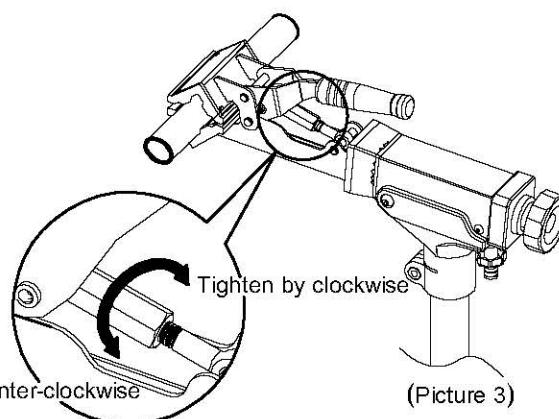
1. Pull up the handle to open the clamp. (see picture 2)
2. Place the frame into the opening of the clamp (it could be the top tube, seat tube and standing tube) and adjust the hex adjusting shaft to proper position then press down the handle to hold the frame.

Adjustment:

- 2-1. Rotate the hex adjusting shaft clockwise to tighten the clamp properly, making the opening of the clamp smaller. (see picture 3)
- 2-2. Rotate the hex adjusting shaft counter-clockwise to loosen the clamp properly, making the opening of the clamp bigger. (see picture 3)



(Picture 2)



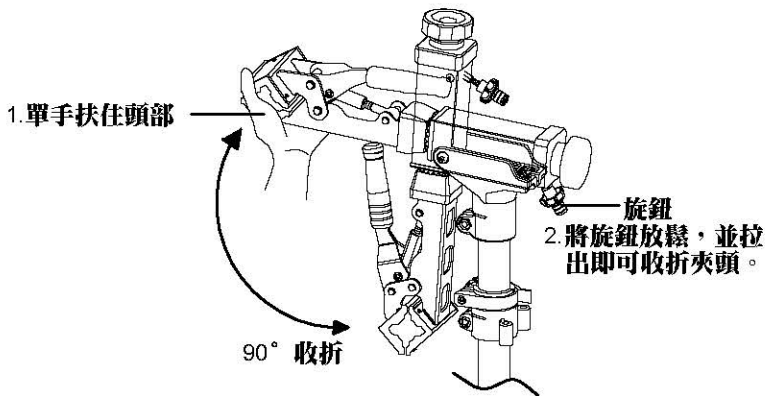
(Picture 3)



To be sure the tube is tightened before work

詳細操作影片請至 Super B
官網 <http://www.superbiketool.com/> 觀看，點擊
Product → Work stand → 1. → TB-WS20

1 夾頭調整收折

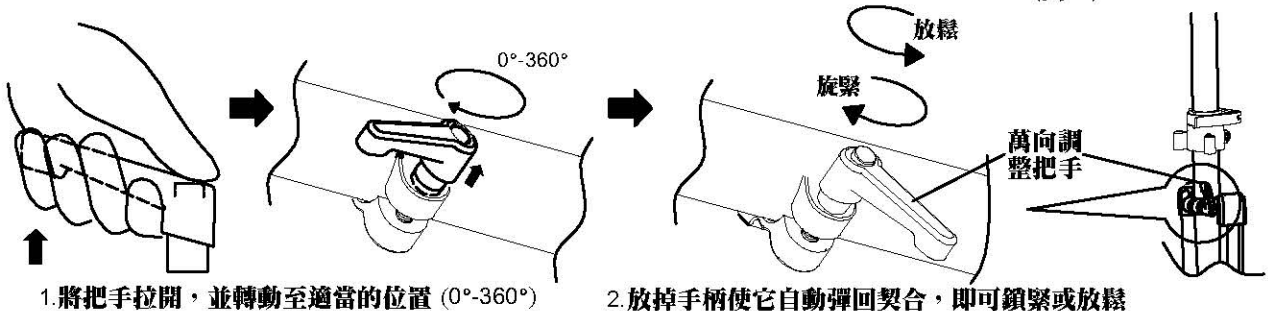


3 萬向調整把手使用功能說明

萬向調整把手，可調整至任何角度，適用於缺乏空間和操作受到限制的場合。

使用說明：

1. 將把手拉開，並轉動至適當的位置 (0°-360°)
2. 放掉手柄使它自動彈回契合，即可鎖緊或放鬆



1. 將把手拉開，並轉動至適當的位置 (0°-360°)

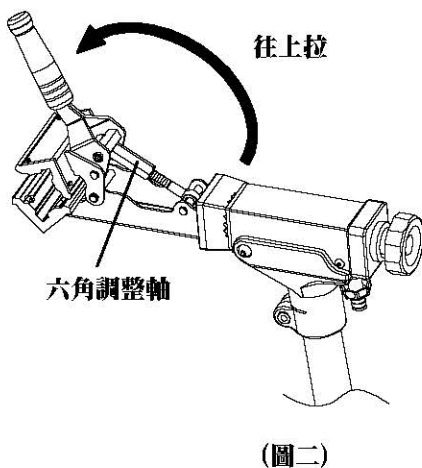
2. 放掉手柄使它自動彈回契合，即可鎖緊或放鬆

4 夾頭開口調整方式

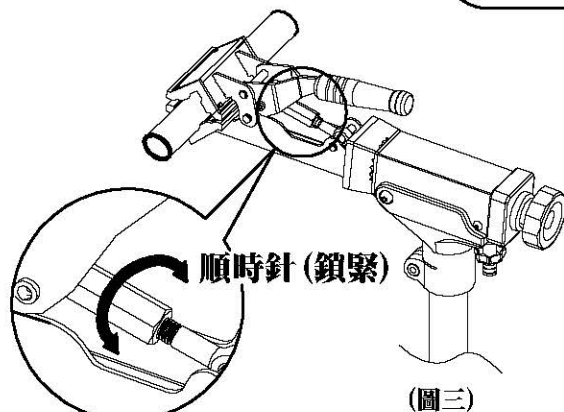
1. 上拉握把，打開夾頭。(如圖二所示)
2. 將車管(可選擇車架上管/立管/座管)放入夾頭開口，並依車管尺寸將六角調整軸旋轉至適當位置，再將握把下壓固定車管。

調整方式：

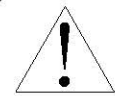
1. 依圖所示將六角調整軸順時針旋轉，可適度鎖緊夾頭，使夾頭開口變小。(如圖三所示)
2. 依圖所示將六角調整軸逆時針旋轉，可適度放鬆夾頭，使夾頭開口變大。(如圖三所示)



(圖二)



逆時針(放鬆)



**使用時，務必
確認已夾緊車
管再執行工作**