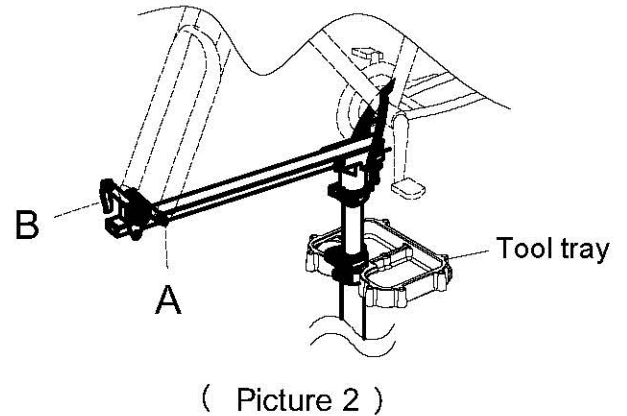
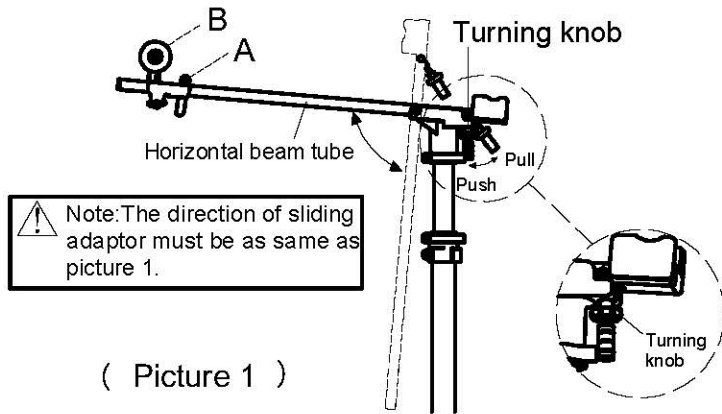


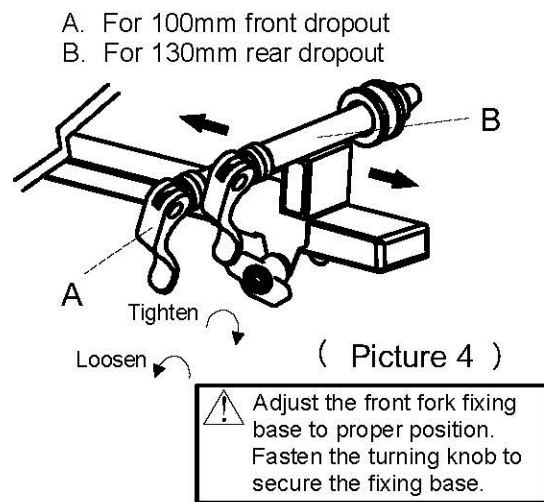
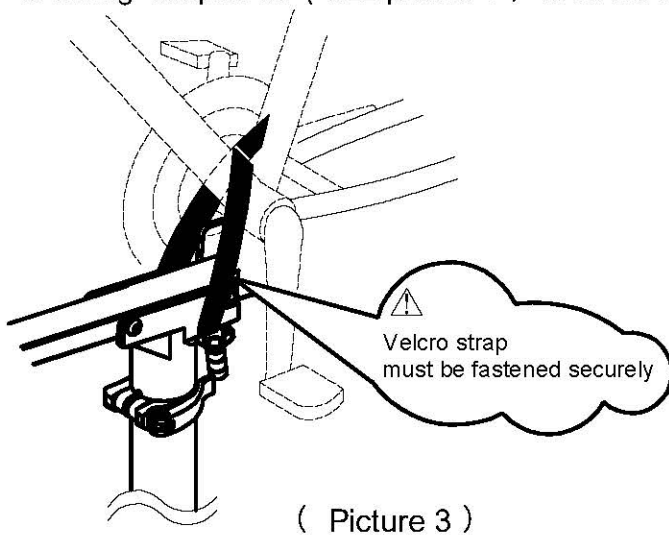
1 Instruction

Visit operation detail at Super B
Website: <http://www.superbiketool.com/>,
Click Product ➡ Work stand ➡ 1. ➡ TB-WS10

1. Unfolding the horizontal beam tube and install the sliding adaptor into the horizontal beam tube. (see picture 1)
2. Install tool tray as picture 2.
3. Put the bicycle on the work stand and mount the front dropout to A or the rear dropout to B. (see picture 2)

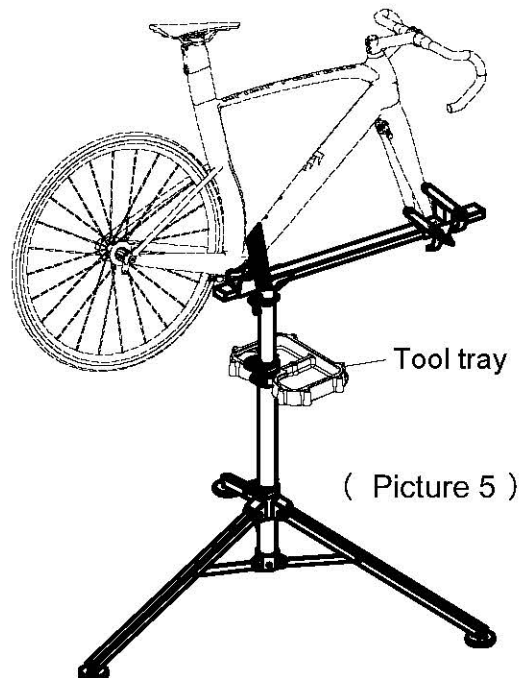


4. Secure the bottom bracket on the tube by the Velcro strap (see picture 3) and tighten the knob of sliding adaptor as (see picture 4) to fix the bicycle on the work stand.



2 NOTE

1. Make sure the bike is secured well on the work stand before use. (see picture 5)

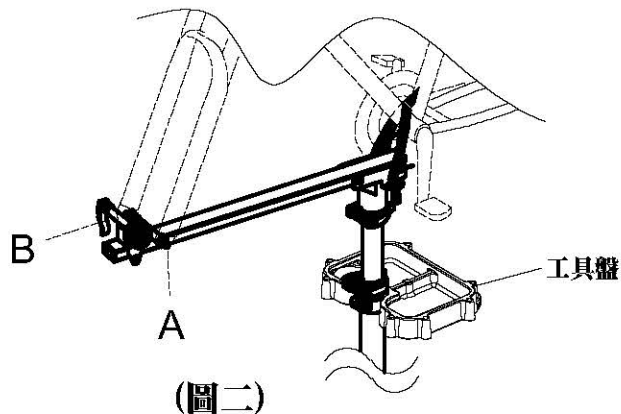
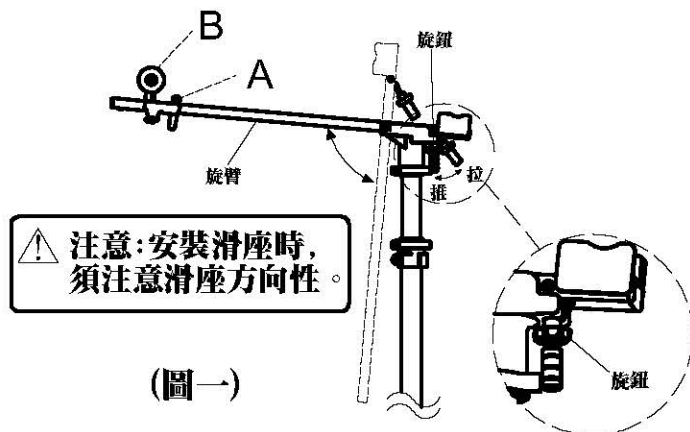


1 使用說明

詳細操作影片請至Super B

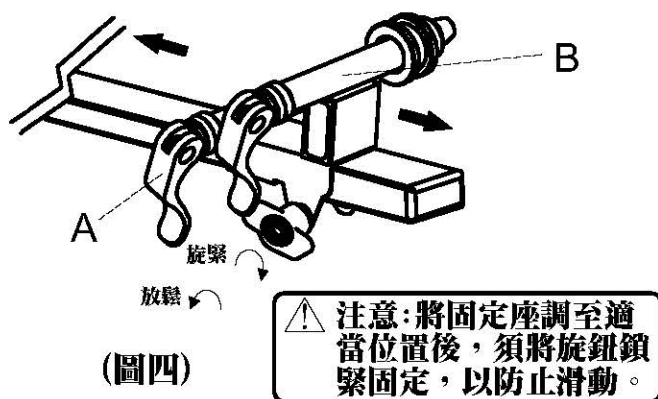
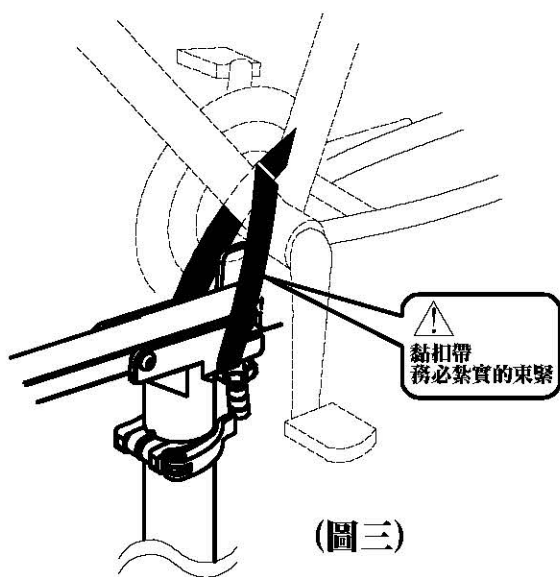
官網<http://www.superbiketool.com/>觀看，點擊
Product → Work stand → 1. → TB-WS10

1. 展開橫管旋臂，並安裝快拆滑座於旋臂上，須注意滑座方向（見圖一）
2. 將工具盤套入雙耳管束（見圖二）
3. 將自行車放上修車架並選擇固定自行車前叉或後叉於滑座A或B上。（見圖二）



4. 用黏扣帶將自行車五通軸綁於旋臂上（見圖三）並鎖緊滑座上的旋鈕以固定住自行車於修車架上（見圖四）。

A 適用100mm前叉
B 適用130mm後叉



3 注意

1. 在開始進行自行車的修理或清潔工作前，務必確保自行車穩固地固定於修車架上。（見圖五）

