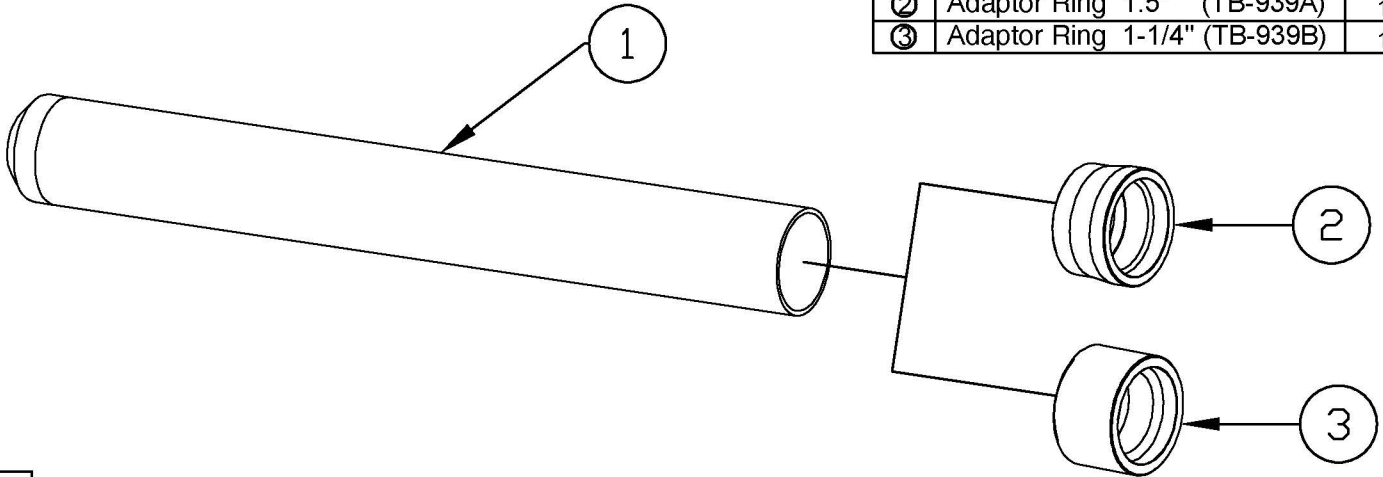


## 1 Parts description


Visit operation detail at Super B  
Website: <http://www.superbiketool.com/>,  
Click Product ➡ Frame & Fork ➡ 2. ➡ TB-1939

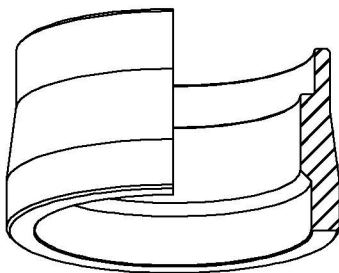
NO.	PART	Q'TY
①	Driver Tube	1
②	Adaptor Ring 1.5" (TB-939A)	1
③	Adaptor Ring 1-1/4" (TB-939B)	1



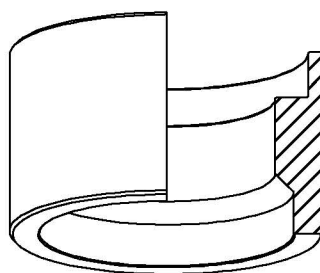
## 2 Instruction

1. Measure the outside diameter of the crown race seat on the fork and the inside diameter of the crown race before use.
2. A crown race 0.1mm to 0.2mm smaller than the crown race seat will create a proper press fit.
3. Select the appropriate adaptor ring and place it on the crown race.
  - 3-1. (TB-939A) is for 1.5" crown race.
  - 3-2. (TB-938B) is for 1-1/4" crown race.
4. Clean the crown race and the crown race seat then apply a thin layer of grease.
5. Place driver tube over adaptor ring and crown race down with a dead blow hammer, until the crown race is properly seated. (see picture 1)

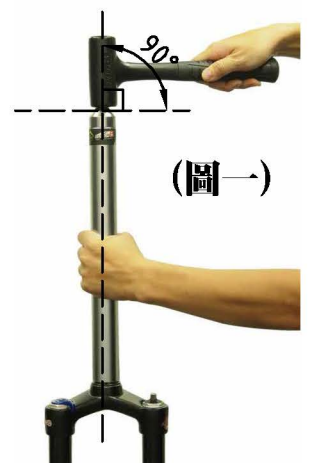
 Make sure the dead blow hammer align with the driver when knocking.



Adaptor Ring 1.5"  
(TB-939A)



Adaptor Ring 1-1/4"  
(TB-939B)

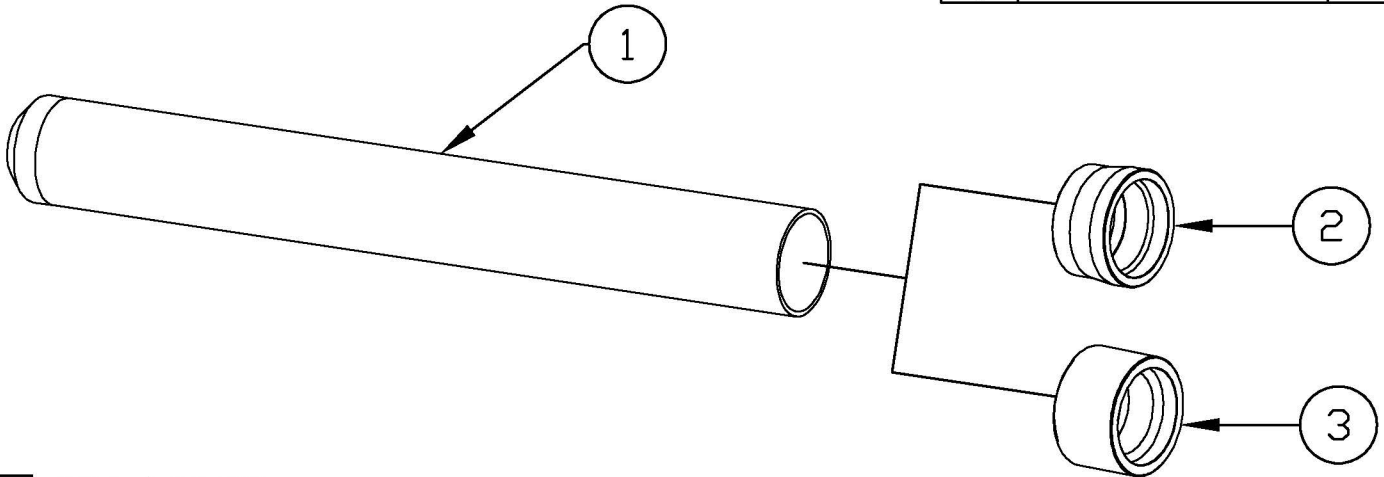


Picture1

## 1 零件名稱及數量

詳細操作影片請至Super B官網  
<http://www.superbiketool.com/>觀看，點擊  
Product ➡ Frame & Fork ➡ 2. ➡ TB-1939

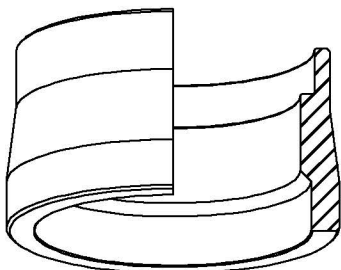
編號	名稱	數量
①	導引管	1
②	套環 1.5" (TB-939A)	1
③	套環 1-1/4" (TB-939B)	1



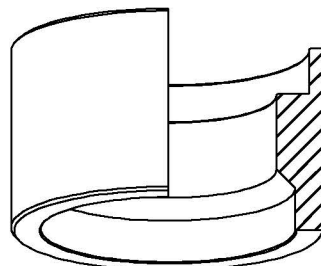
## 2 使用說明

1. 使用前測量前叉頭碗座的外徑和前叉座環的內徑。
2. 頭碗前叉座環的內徑小於前叉頭碗座的外徑0.1mm到0.2mm是最適當的前叉座環壓配間距。
3. 選擇適當的套環，並將前叉座環放入確認。
  - 3-1. 套環(TB-939A)適用1.5"前叉座環。
  - 3-2. 套環(TB-939B)適用1-1/4"前叉座環。
4. 請將前叉頭碗座及前叉座環清理乾淨後，再均勻塗上潤滑劑。
5. 將適用的套環置入前叉座環上。
6. 放入導引管使用膠錘將前叉座環置入，直到前叉座環置入於正確的位置。(如圖一所示)

 敲擊時須確認槌子與導引管成一直線



套環 1.5"  
(TB-939A)



套環 1-1/4"  
(TB-939B)

