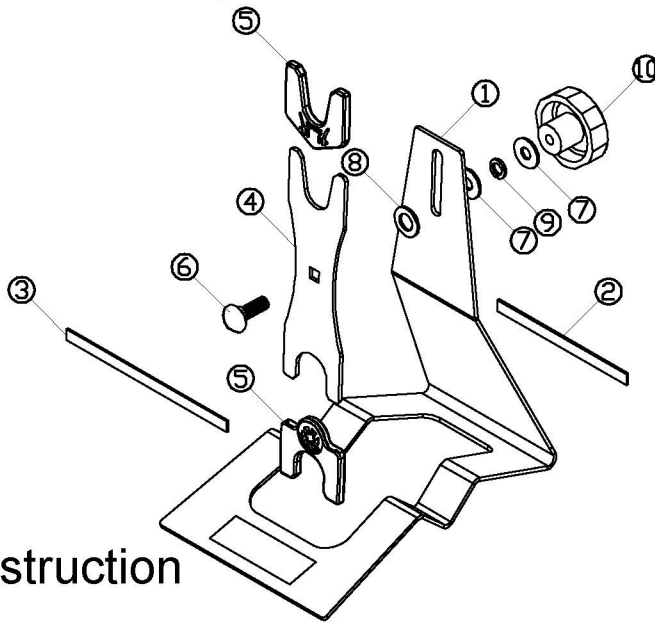


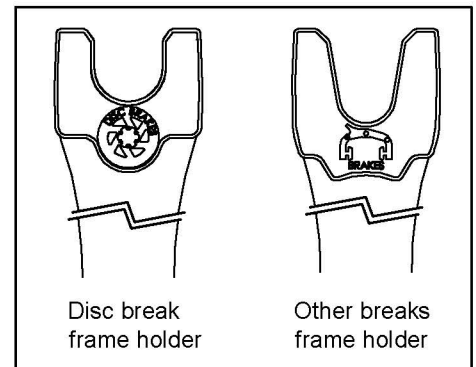
1 Parts description



| NO. | PART | Q'TY |
|-----|--|------|
| ① | Display stand body | 1 |
| ② | EVA 135mm | 1 |
| ③ | EVA 175mm | 1 |
| ④ | 2 in 1 holder | 1 |
| ⑤ | Frame protector | 2 |
| ⑥ | Carriage bolt | 1 |
| ⑦ | Washer $\varnothing 25*10*T2$ | 2 |
| ⑧ | Washer $\varnothing 25*13*T2$ | 1 |
| ⑨ | Spring washer $\varnothing 16.3mm*10*T2$ | 1 |
| ⑩ | Switch knob | 1 |

2 Instruction

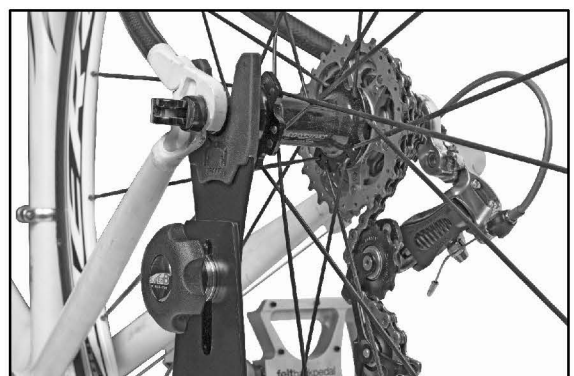
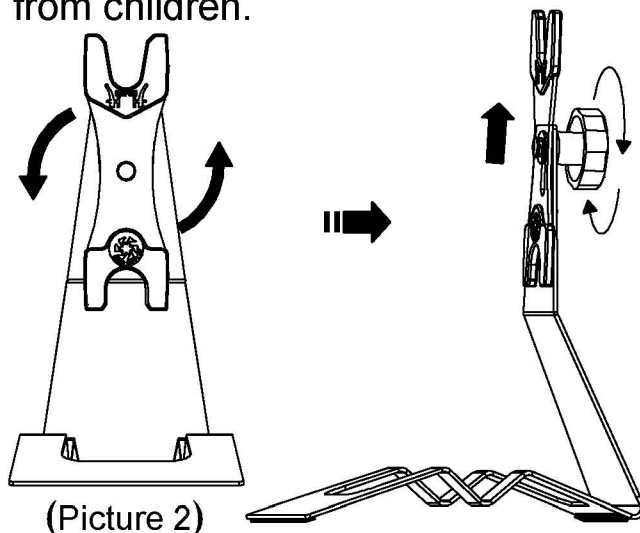
1. 2 in 1 holder is available for disc break system and other breaks system frame. (see picture 1)
2. Release switch knob until 2 in 1 frame holder is adjustable.
3. Based on your needs, set up the right side of 2 in 1 holder to be ready.
4. Move switch knob to the bottom and tighten it up.
5. Mount your bicycle rear wheel on the 2 in 1 display stand.
6. Release and move the switch knob to upper side until the frame protector make a contact with hub.
7. Tighten the switch knob up.



(Picture 1)

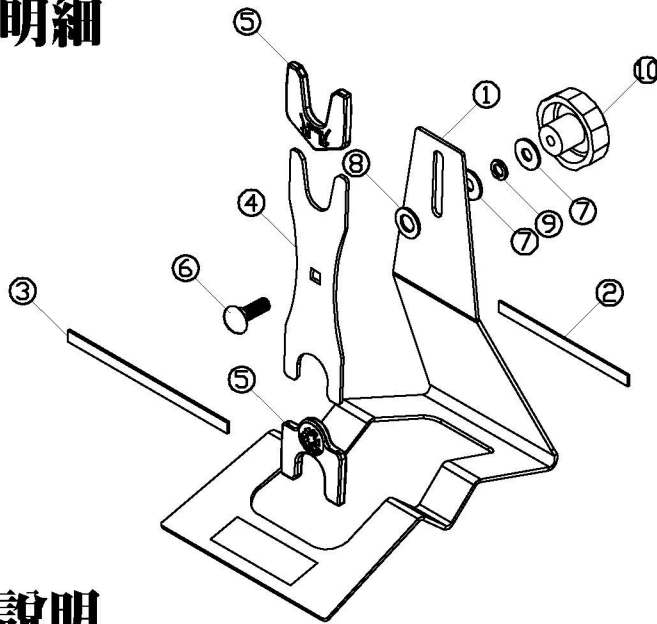
3 Notice

1. Please make sure the floor is flat when you use the 2 in 1 display stand.
2. Please make sure the bicycle on the 2 in 1 display stand is stable.
3. Please keep out 2 in 1 display stand away from children.



(Picture 3)

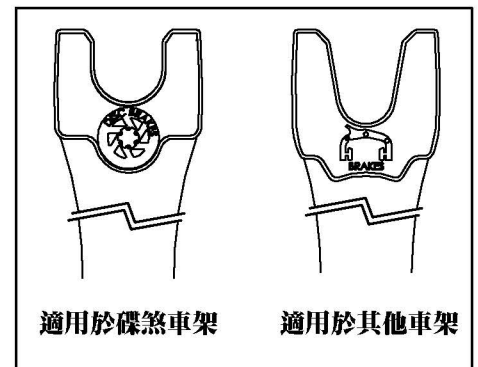
1 零件明細



| 編號 | 名稱 | 數量 |
|----|--|----|
| ① | 展示架本體 | 1 |
| ② | 泡棉 135mm | 1 |
| ③ | 泡棉 175mm | 1 |
| ④ | 雙邊支撐架 | 1 |
| ⑤ | 車架保護套 | 2 |
| ⑥ | 馬車螺絲 | 1 |
| ⑦ | 墊片 $\varnothing 25*10*T2$ | 2 |
| ⑧ | 墊片 $\varnothing 25*13*T2$ | 1 |
| ⑨ | 彈簧墊片 $\varnothing 16.3\text{mm}*10*T2$ | 1 |
| ⑩ | 轉換旋鈕 | 1 |

2 使用說明

1. 雙邊支撐架可適用於碟煞系統的車架與其他系統的車架。
(如圖一所示)
2. 放鬆轉換旋鈕，直到雙邊支撐架可以自由轉動。
3. 依照車架上煞車系統，將相對應的車架保護套旋轉至上方。
(如圖二所示)
4. 將轉換旋鈕移至最下方後旋緊。
5. 將自行車後輪放置於二合一展示架上。
6. 將轉換旋鈕放鬆後，將旋鈕往上移，直到支撐架凹槽接觸到花鼓。
(如圖三所示)
7. 將轉換旋鈕旋緊。



(圖一)

3 注意事項

1. 使用時請放置於平整地面。
2. 請再次確認自行車是穩固地置於展示架上。
3. 請勿在放置於孩童可碰觸的地方。

